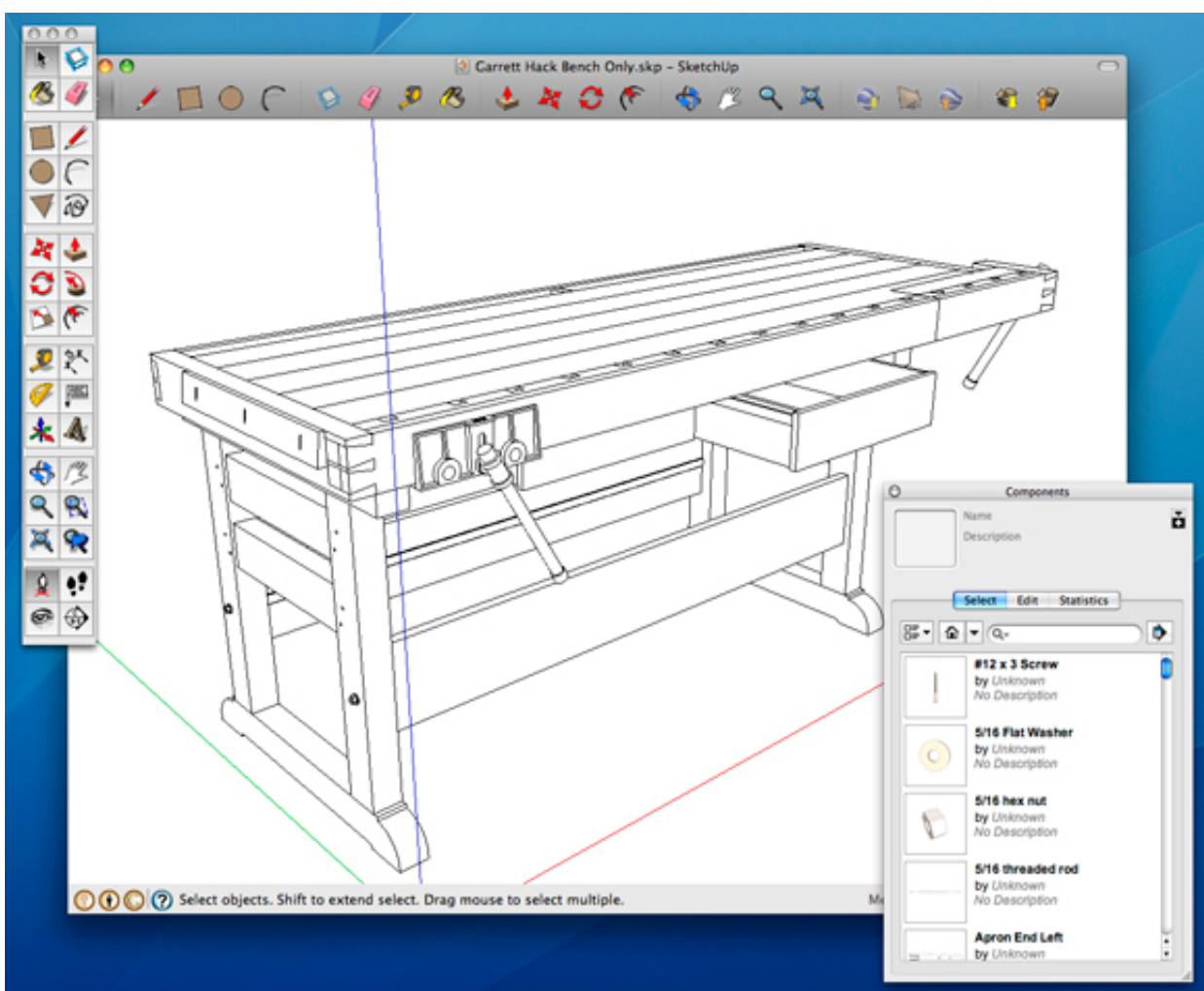


# DOWNLOAD

[Free Mac Woodwork Design Software Download](#)



[Free Mac Woodwork Design Software Download](#)

---

**DOWNLOAD**

---

CNC router software is basically designed to generate G codes based on your design.. Jan 27, 2018 10+ Best Cabinet Design Software For Woodworking Pros & Enthusiasts.. Woodworks Software FreeWoodworks Software DownloadForesters' Metric Conversions - Converts English measures to metric, and vice versa - a handy tool for foresters.

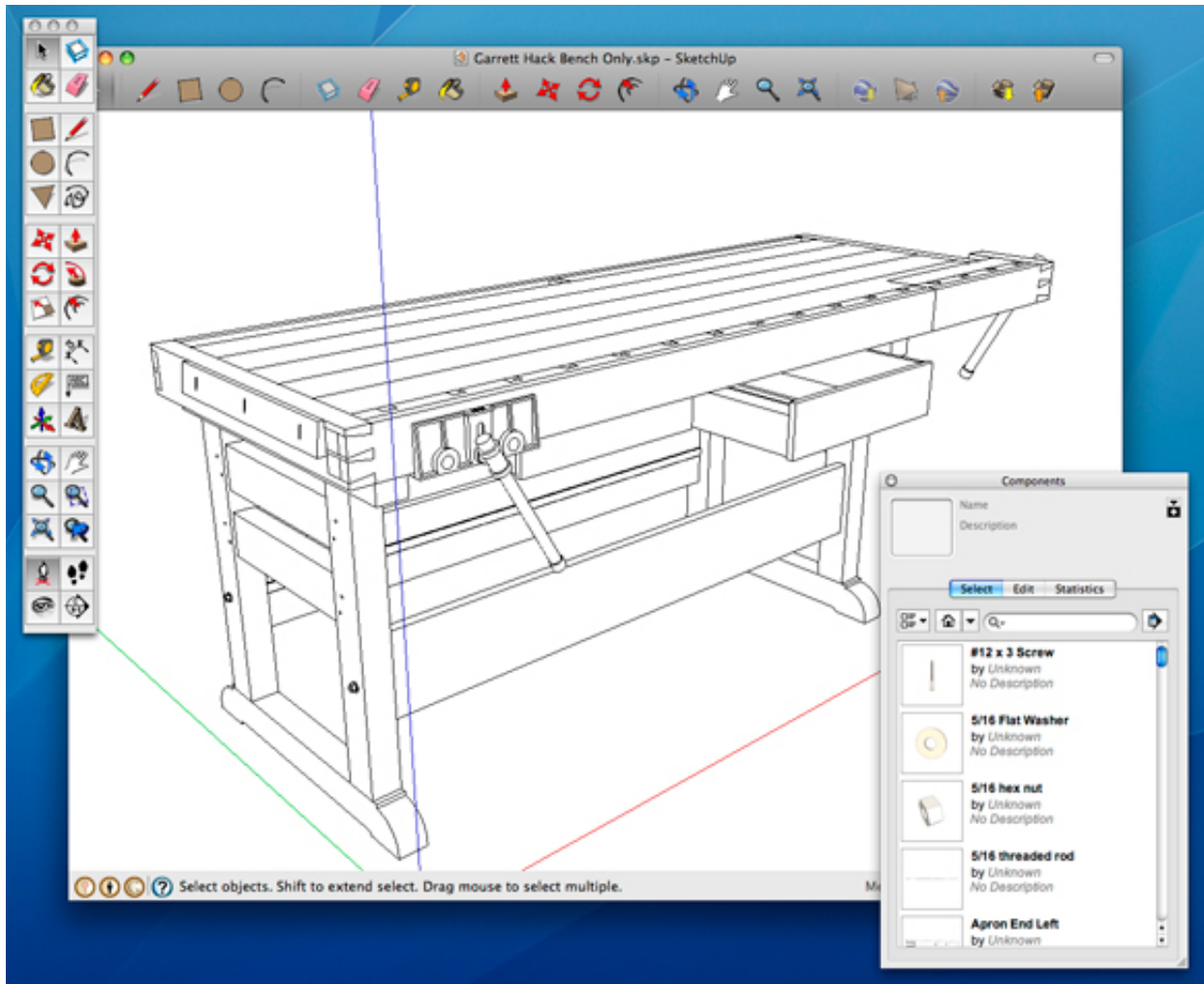
1. [woodwork design software](#)
2. [woodwork design software ipad](#)
3. [free 3d woodworking design software](#)

CD3WD Woodworking 3 8 is designed as a comprehensive package of high-quality 3rd world development information on agriculture, health, appropriate technology, construction, food processing, crop storage, woodwork, metalwork, electrical trades... Hardwood Lumber Board Footage Calculator - Online calculator developed by Professor Gene Wengert and WOODWEB.. There are many free cabinet design tools as well as the paid ones We handpicked some of the best among them.. GizmoLab's Design Intuition - woodworking CAD software for Windows or Mac operating systems.. It's easy, and it's free to use WoodWorks engineering software for wood design (no relation to the Wood Products Council's WoodWorks program for non-residential and multi-family buildings) is provided by the Canadian Wood Council and, in the US, is based on the National Design Specification ® (NDS ®) for Wood Construction.

## woodwork design software

woodwork design software, woodwork design software free download, woodwork design software ipad, woodwork design software mac, free 3d woodworking design software, free woodworking design software mac, woodwork for inventor - furniture design software, best woodwork design software free, woodwork design software online, 3d woodworking design software [Hp Compaq Nx6120 Bluetooth Drivers Download](#)

It includes three modules—Sizer, Shearwalls and Connections—and the Sizer module is also.. Cabinet designing was never been easier before the arrival of software which made it super-easy.. You can also expect design optimization for particular manufacturing technique from the software.. Following is the list of few of the best picked CNC router programs With Canva, anyone can create professional-quality designs.. Create amazing 3D woodworking designs before you head to the hardware store Pre-build that dream cabinet or treehouse in 3D before you tackle it in real life. [Asianet Serial Sthreedhanam Actress Names](#)



[Proshow](#)

[Producer For Mac Download Full](#)

## woodwork design software ipad

[Vshare Identification Code](#)

So, without further due, here is the 13 best cabinet design software Writing G codes for manufacturing components from your design can be very time-consuming and may consume a lot of resources from your workforce. [Best Usb Hub For Mac 2017](#)

## free 3d woodworking design software

[Convert Usd To Egyptian Pound Download For Mac](#)

0041d406d9 [open source svn client for mac](#)

0041d406d9

[Pulse Vpn Client Download Mac](#)